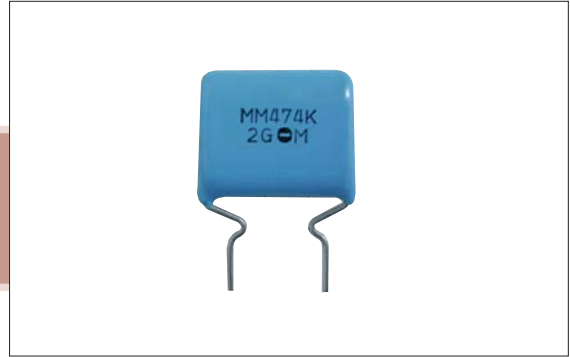


METALLIZED POLYETHYLENE TEREPHTHALATE FILM CAPACITOR

Type MM



Application

- General purpose

Specific features

- MM is a highly reliable capacitor for general appliances using a metallized polyethylene terephthalate film as dielectric.
- Small, light weight.
- long life due to self-healing effect.
- Non-inductive structure made by special metal spraying process (Utility model patent).
- The armor is a powder painted flame resisting epoxy resin (correspond to V-O).

Specifications

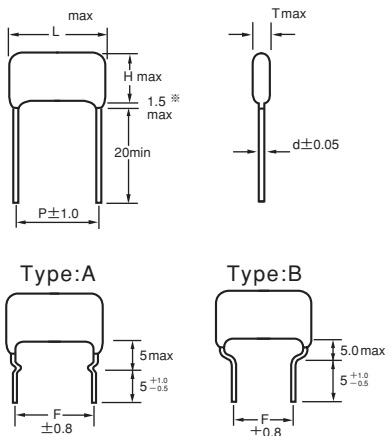
Item	Performance
Operating Temperature Range	-40~+85°C (+105°C)
Rated Voltage	100VDC, 250VDC, 400VDC, 630VDC, 125VAC, 250VAC
Tolerance	±5%, ±10%

Specifications

6P		2A		104		K	
Type Code		Rated Voltage		Capacitance		Tolerance	
6P	MM	Code	VDC	First two figures mean capacitance (pF) and third expressing number of zeros. Example: 104=0.1 μF		Code	Tolerance
6C	MM	2A	100V DC	J	± 5%		
		2E	250V DC	K	± 10%		
		2G	400V DC	M	± 20%		
		2J	630V DC				
		5B	125V AC				
		5E	250V AC				

Dimensions

(mm)



Cap.	125VAC(6C5B)							250VAC(6C5E)						
	L	T	H	P	F	d	TYPE	L	T	H	P	F	d	TYPE
103	10.8	4.3	7.4	7.5	7.5	0.6	A	14.0	5.5	8.5	10.0	10.0	0.6	A
153	"	4.4	7.5	"	"	"	"	"	6.0	9.0	"	"	"	"
223	"	"	"	"	"	"	"	"	6.5	11.5	"	"	"	"
333	"	4.5	"	"	"	"	"	"	7.0	13.0	"	"	"	"
473	"	"	"	"	"	"	"	"	7.5	14.5	"	"	"	"
683	"	"	"	"	"	"	"	19.0	7.0	12.0	15.0	"	"	B
104	"	5.8	8.4	"	"	"	"	"	"	"	"	"	"	"
154	"	6.0	10.5	"	"	"	"	"	8.5	16.5	"	"	0.8	"
224	13.0	5.5	10.3	10.0	10.0	"	"	"	10.0	17.0	"	"	"	"
334	"	6.5	12.0	"	"	"	"	27.0	9.0	18.0	22.5	15.0	"	"
474	"	7.5	13.0	"	"	"	"	"	10.5	19.5	"	"	"	"

Cap.	100VDC(6P2A)							
	L	T	H	P	F	d	TYPE	
104	10.8	3.8	8.0	7.5	5.0	0.6	A	
154	"	4.0	8.2	"	"	"	"	
224	"	4.6	8.8	"	"	"	"	
334	"	4.8	11.5	"	"	"	"	
474	"	5.6	12.5	"	"	"	"	
684	13.0	6.4	11.0	10.0	10.0	"	"	
105	"	6.2	14.5	"	"	"	"	
155	18.0	6.0	13.0	15.0	15.0	0.8	"	
225	"	7.3	14.0	"	"	"	"	
335	25.0	7.0	15.0	22.5	22.5	"	"	
475	"	8.0	17.0	"	"	"	"	

Cap.	250VDC(6C2E)							400VDC(6C2G)							630VDC(6C2J)						
	L	T	H	P	F	d	TYPE	L	T	H	P	F	d	TYPE	L	T	H	P	F	d	TYPE
103	10.8	4.3	7.4	7.5	7.5	0.6	A	10.8	4.4	7.8	7.5	7.5	0.6	A	13.0	4.5	7.5	10.0	10.0	0.6	A
153	"	4.4	7.5	"	"	"	"	"	"	"	"	"	"	"	"	5.0	8.0	"	"	"	"
223	"	"	"	"	"	"	"	"	"	"	"	"	"	"	"	5.5	10.5	"	"	"	"
333	"	4.5	"	"	"	"	"	"	5.5	9.0	"	"	"	"	"	6.0	12.0	"	"	"	"
473	"	"	"	"	"	"	"	13.0	5.0	8.5	10.0	10.0	"	"	"	6.5	13.5	"	"	"	"
683	"	"	"	"	"	"	"	"	5.5	10.5	"	"	"	18.0	6.0	11.0	15.0	"	"	"	B
104	"	5.8	8.4	"	"	"	"	"	6.5	12.0	"	"	"	"	6.5	14.0	"	"	"	"	"
154	"	6.0	10.5	"	"	"	"	18.0	5.0	12.5	15.0	"	B	"	7.5	15.5	"	"	0.8	"	
224	13.0	5.5	10.3	10.0	10.0	"	"	"	6.0	13.0	"	"	"	"	9.0	16.0	"	"	"	"	
334	"	6.5	12.0	"	"	"	"	"	7.0	15.0	"	0.8	"	26.0	8.0	17.0	22.5	15.0	"	"	
474	18.0	5.3	12.5	15.0	"	"	B	"	8.0	17.0	"	"	"	"	9.5	18.5	"	"	"	"	
684	"	7.0	15.0	"	"	0.8or0.6	"	26.0	7.0	16.5	22.5	15.0	"	"	11.5	21.0	"	"	"	"	
105	"	7.4	"	"	"	0.8	"	"	8.5	18.0	"	"	"	"	"	"	"	"	"	"	"
155	"	9.0	17.0	"	"	"	"	"	10.5	20.0	"	"	"	"	"	"	"	"	"	"	"
225	26.0	8.5	"	22.5	15.0	"	"	"	"	"	"	"	"	"	"	"	"	"	"	"	"

Taping types are also available